

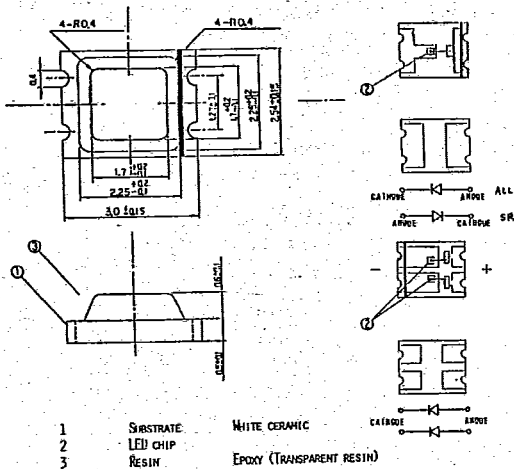
T-41-21

FAMILY SERIES
MAIN FEATURES

CCL-CRS10-XX SMD
180° VIEWING ANGLE

- CERAMIC CHIP INTEGRITY
- TRULY SMD DEVICE
- SURVIVES ANY SOLDERING METHOD
- SUPERIOR THERMAL SHOCK SURVIVAL
- SUPER 8 FILM PACKAGING
- HIGH VOLUME AVAILABILITY
- 180° VIEWING ANGLE
- DUAL CHIP/BICOLOR STYLES

PACKAGE DIMENSIONS
(Dimensions in Millimeters)



WHERE AND HOW TO USE THIS SERIES

- SURFACE MOUNT BOARDS
- MEMBRANE SWITCHES
- P.C.B. INDICATORS
- FAULT INDICATORS

Limits of Safe Operation (at 25°C)			
Color	Power Dissip.	Power Derating Over +25°C/°C	Continuous IF Max.
Dk. Red	65 mW	- 1.0 mW	25 mA
Sup. Red	55 mW	- 1.0 mW	25 mA
Green	65 mW	- 1.0 mW	25 mA
Yellow	70 mW	- 1.0 mW	25 mA
Peak Forward Current (1µs Pulse .03% Duty Cycle) 1.0 A			
Operating Temperature -35 to +90°C			
Soldering Time 10 sec. max. @ 250°C			

PART SELECTION AND APPLICATION INFORMATION (RATINGS AT 25°C AMBIENT)

Lumex Part Number	Use Code	Current Rating Per Led	Voltage Rating Per Led	Light Color Each Led	Epoxy Lens Color Each Led	180° Viewing Angle Avg Brightness At 20 mA (IF)	Reverse Current At 4 VR
CCL-CRS10R	C,D	5-25 mA	2.0-2.8 VDC	Red (635NM)	Clear Colorless	4.0 MCD	10µA Max.
CCL-CRS10G	C,D	5-25 mA	2.0-2.8 VDC	Green (565NM)	Clear Colorless	12.0 MCD	10µA Max.
CCL-CRS10Y	C,D	5-25 mA	2.0-2.8 VDC	Yellow (585NM)	Clear Colorless	8.0 MCD	10µA Max.
CCL-CRS10SR	C,D	2-25 mA	1.6-2.0 VDC	Red (660NM)	Clear Colorless	10.0 MCD	100µA Max.
CCL-CRS102R	C,D	5-25 mA	2.0-2.8 VDC	Red (2) (635NM)	Clear Colorless	8.0 MCD	10µA Max.
CCL-CRS102G	C,D	5-25 mA	2.0-2.8 VDC	Green (2) (565NM)	Clear Colorless	24.0 MCD	10µA Max.
CCL-CRS102Y	C,D	5-25 mA	2.0-2.8 VDC	Yellow (2) (585NM)	Clear Colorless	16.0 MCD	10µA Max.
CCL-CRS10R/G	C,D	2-25 mA	2.0-2.8 VDC	Red/Green	Clear Colorless	4.0/12.0 MCD	10µA Max.
CCL-CRS10R/Y	C,D	2-25 mA	2.0-2.8 VDC	Red/Yellow	Clear Colorless	4.0/8.0 MCD	10µA Max.

Packaging and Reliability Data Available: Contact Factory

Use Code (A) Front Panels (B) Fault Indicator (C) Backlighting (D) Bright Point or Spot
See page 6 for typical operating curves